



# FIRESTONE ULTRAPLY™ TPO XR

## A DURABLE, LONG-TERM SOLUTION FOR YOUR BUILDING

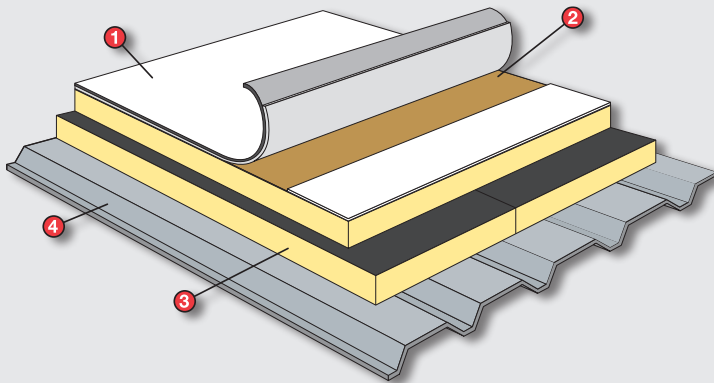
Firestone UltraPly TPO XR combines the durability of a single-ply membrane with an external backing of eight-ounce, non-woven polyester to offer an additional internal and external reinforcement for remarkable puncture resistance. Installation flexibility enables the roofing system to be mechanically attached or fully adhered using XR Bonding adhesive, hot asphalt or XR Stick Adhesive.



## FEATURES AND BENEFITS

- Available in 45 mil (*UltraPly TPO XR 100*), 60 mil (*UltraPly TPO XR 115*) and 80 mil (*UltraPly TPO XR 135*)
- Available in white, tan and gray
- Can be adhered to a variety of substrates - ideally suited for fully adhered applications over new and existing substrates
- Lightweight membrane is ideal for reroof, retrofit and new construction applications eliminating the need for a cover board in many cases
- Superior cut and puncture resistance is enhanced with external polyester fabric - excellent hail impact protection
- Can be applied with foam adhesives which provide LVOC/low odor application
- Excellent weatherability and strong resistance to UV and common rooftop chemicals; UL Class A and FM approvals; resistant to microbial growth; chlorine free with non-halogenated flame-retardants
- Minimal disruption in reroofing applications

## STRUCTURE



- 1 Firestone UltraPly TPO XR
- 2 Firestone XR Bonding Adhesive, Hot Asphalt or Firestone XR Stick™ Adhesive
- 3 Firestone ISO 95+™ GL Insulation
- 4 Roof Deck

Internally and externally reinforced Thermoplastic Polyolefin Roofing Membrane with 55 mils of non-woven polyester fabric.



# FLEXIBLE APPLICATION AND EXCELLENT WEATHERABILITY

UltraPly TPO XR can be mechanically attached or fully adhered using XR Bonding Adhesive, hot asphalt, I.S.O. SPRAY™ S Insulation Adhesive or XR Stick™ Adhesive.



Firestone XR Bonding Adhesive



Hot Asphalt



Firestone XR Stick Foam Adhesive

## SPECS

<b>Roll Width &amp; Length</b>	XR 100-10' (3 m) x 100' (30.50 m)	XR 115-10' (3 m) x 100' (30.50 m)	XR 135-10' (3 m) x 50' (15.24 m)
<b>External Fabric</b>	55 mil (1.3 mm) 8 oz. non-woven polyester fabric		
<b>Membrane Gauge</b>	XR 100-45 mil (1.1 mm)	XR 115-60 mil (1.5 mm)	XR 135-80 mil (2.0 mm)
<b>Internal Scrim</b>	9 x 9, weft-inserted 1,000 denier fully encapsulated polyester scrim		
<b>Warranty</b>	15-year total system	20-year when using XR 115	30-year when using XR 135
<b>System Installation Options</b>	Mechanically attached	Fully adhered with XR Bonding Adhesive or hot asphalt	Fully adhered with XR Stick or I.S.O. SPRAY S foam adhesive
<b>Compatible Substrates</b>	ISO 95+™GL Polyiso Insulation, DensDeck, Woodfiber, Plywood/OSB, Uncoated smooth or granule surfaced APP or SBS modified bitumen, Smooth or mineral surfaced BUR, Lightweight cellular concrete		
<b>Code Approval</b>	UL Class A    FM approvals    ASTM D6878 tested		

For more information, contact your local Sales Rep or visit [FIRESTONEBPCO.COM](http://FIRESTONEBPCO.COM).

250 WEST 96<sup>TH</sup> ST., INDIANAPOLIS, IN 46260  
CORPORATE OFFICE: (800) 428-4442 • (317) 575-7000

[/FirestoneBuildingProducts](https://www.facebook.com/FirestoneBuildingProducts)

[@FirestoneBPCo](https://twitter.com/FirestoneBPCo)

**Firestone**  
BUILDING PRODUCTS  
**NOBODY COVERS YOU BETTER.™**