



FIRESTONE ULTRAPLY™ TPO PLATINUM™ ROOFING SYSTEMS

A SCRIM-REINFORCED, TECHNICALLY ADVANCED SOLUTION FOR YOUR BUILDING

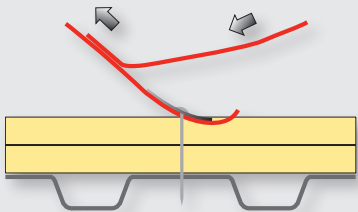
Firestone UltraPly TPO Platinum system is a thermoplastic roofing system backed by a 30-year warranty. Comprised of a durable, 80-mil-thick scrim-reinforced membrane, the UltraPly TPO Platinum system can be fully adhered or mechanically attached to Firestone insulation and fastened to a wide range of deck substrates. The system also features Firestone patented Wide-Weld technology to provide the industry's widest field seams and highest mechanically attached wind ratings, while its scrim-reinforced membrane offers enhanced puncture, tear and abrasion resistance.



FEATURES AND BENEFITS

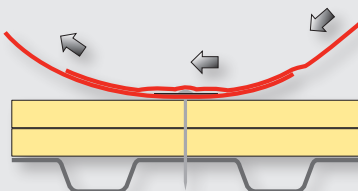
- 80 mil reinforced TPO - also available in 80 mil fleeceback, Firestone UltraPly TPO XR 135
- Scrim-reinforced membrane provides enhanced puncture, tear and abrasion resistance; 30-year warranty can cover punctures, hail and 100 mph winds
- Outstanding resistance to degradation from ultraviolet (UV) radiation, ozone and select chemical exposure
- Ideal for mechanically attached or fully adhered system
- White reflective-surfaced UltraPly TPO Platinum exceeds EPA ENERGY STAR® requirements for reflective roofing
- Wide-Weld™ Seam Technology to achieve ideal field seams and outstanding wind ratings
- No chlorinated or halogenated components, minimal maintenance required

QUICKSEAM YELLOW SAFETY STRIP



Typical TPO Seam

In a conventional asymmetrical TPO seam, less than half of the seam is welded. As a result, wind uplift ratings are limited.



Wide-Weld Seam Technology

With Firestone's symmetrical Wide-Weld Seam Technology, a 5" weld area completely surrounds the fastener, distributing uplift forces uniformly along all edges of the fastening system and eliminating peel forces of conventional single-weld seams.

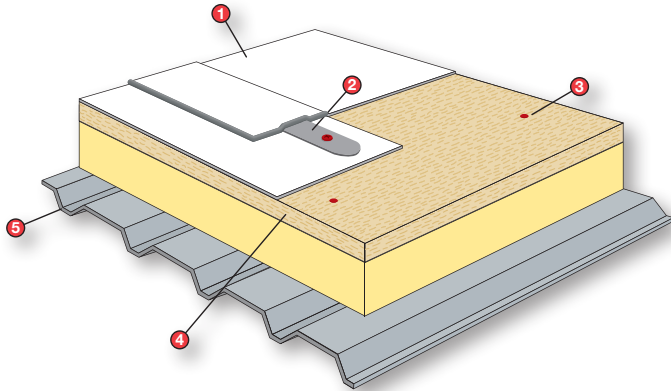


QUALITY. INNOVATION. LEADERSHIP.



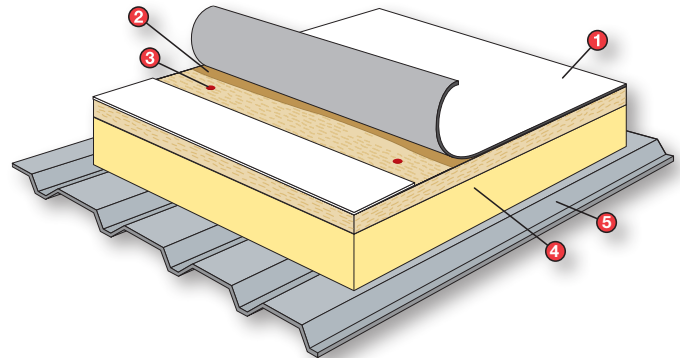
The Firestone name is synonymous with quality, innovation and leadership. Through annual investments in research and development, we remain at the forefront of advances in roofing technology.

UltraPly TPO Platinum Mechanically Attached



- 1 Firestone UltraPly TPO Platinum with Wide-Weld™ Seam Technology
- 2 Firestone Batten Strip
- 3 Firestone HailGard™ Fasteners
- 4 Firestone HailGard Insulation
- 5 Roof Deck

UltraPly TPO Platinum Adhesive Attached



- 1 Firestone UltraPly TPO Platinum with Wide-Weld™ Seam Technology
- 2 Firestone TPO Bonding Adhesive
- 3 Firestone HailGard™ Fasteners
- 4 Firestone HailGard Insulation
- 5 Roof Deck

SPECS

Width	60" (1.5 m)	74" (1.9 m)*	96" (2.4 m)	120" (3.05 m)	148" (3.8 m)*	* Size only available in white
Roll Length	100' (30.5 m)					
Membrane Thickness	80 mil (0.080", 2.0 mm)					
Internal Reinforcements	9 x 9 yarns per inch		1,000 Denier Yarns	Weft-Inserted Polyester Scrim		
System Installation Options	Fully Adhered		Mechanically Attached using Wide-Weld Seam Technology			
Compatible Substrates	Steel	Structural Concrete	Lightweight Cellular Concrete	Plywood	Tectum	Gypsum
Warranty	30-year Platinum™ Warranty with mechanically attached Wide-Weld Seam Technology or fully adhered application					
Code Approvals	Can meet a variety of model building code approvals and classifications, depending on the specific system or assembly. Has attained Underwriters Laboratories (UL) Class A exterior fire classification over combustible and non-combustible decks. Also have numerous FM approvals available at www.RoofNav.com					
CRRC Rated Product ID	White 0608-0008		Tan 0608-0015			

For more information, contact your local Sales Rep or visit FIRESTONEBPCO.COM.

250 WEST 96TH ST., INDIANAPOLIS, IN 46260
CORPORATE OFFICE: (800) 428-4442 • (317) 575-7000

[/FirestoneBuildingProducts](https://www.facebook.com/FirestoneBuildingProducts) [@FirestoneBPCo](https://twitter.com/FirestoneBPCo)

Firestone
BUILDING PRODUCTS
NOBODY COVERS YOU BETTER.™